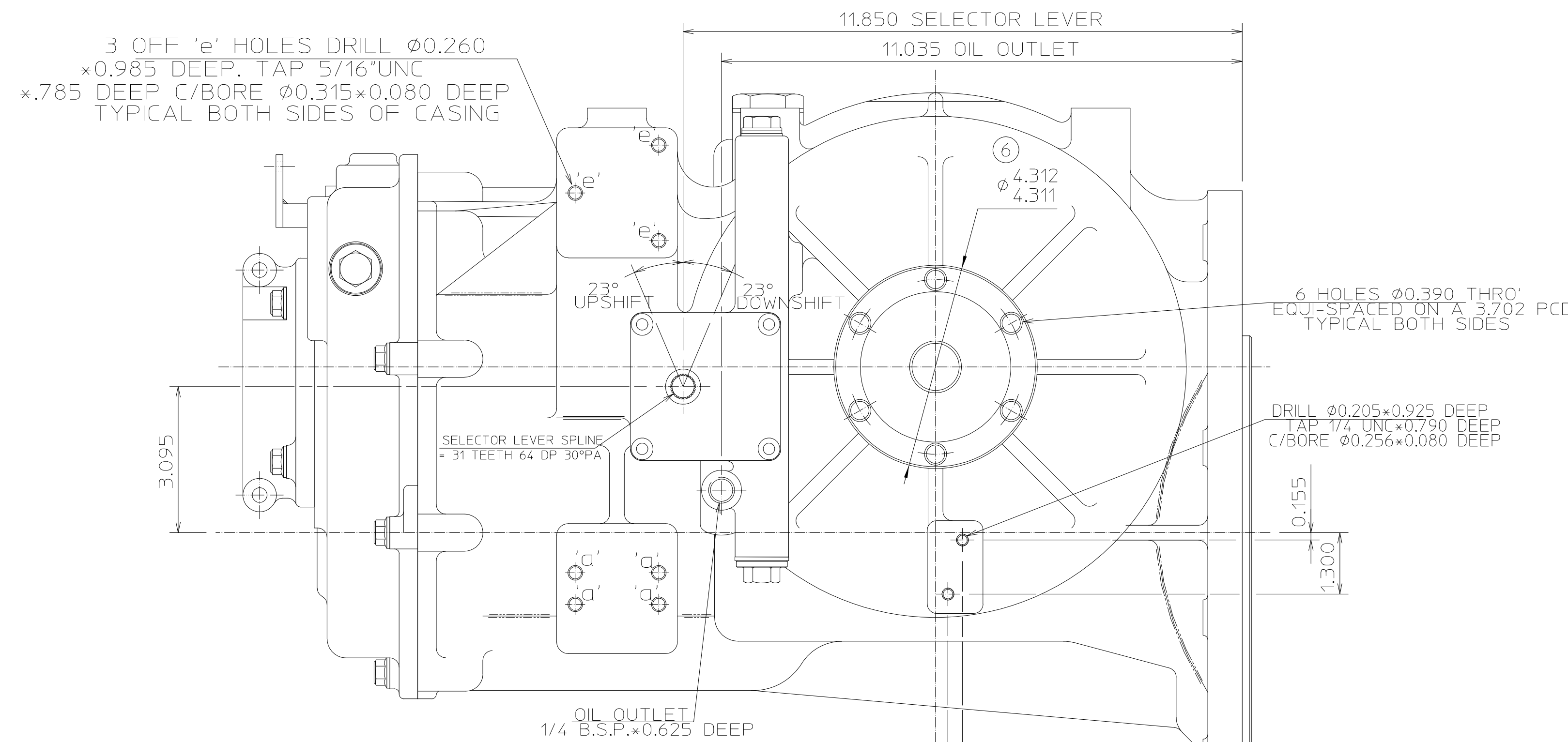
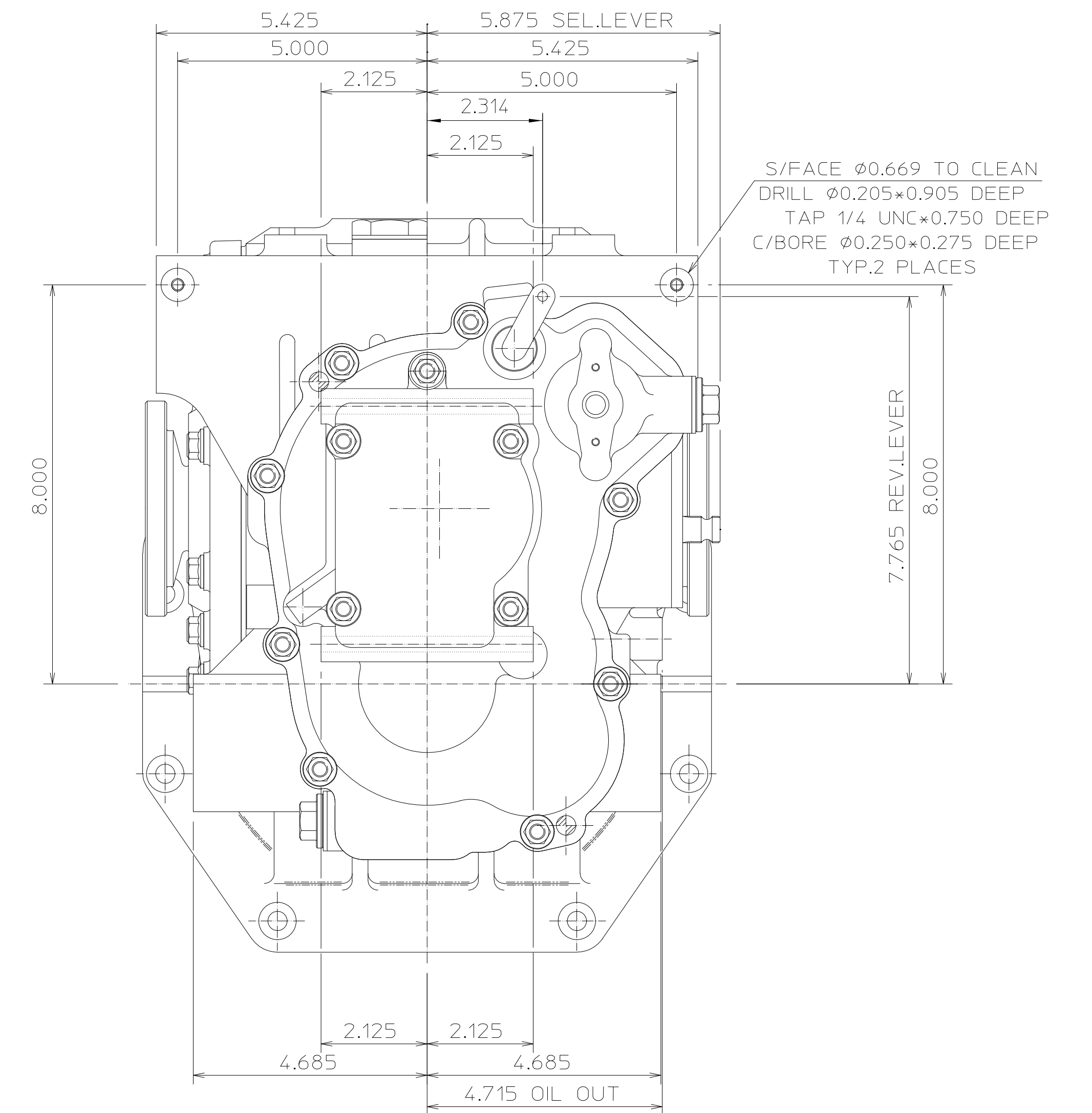
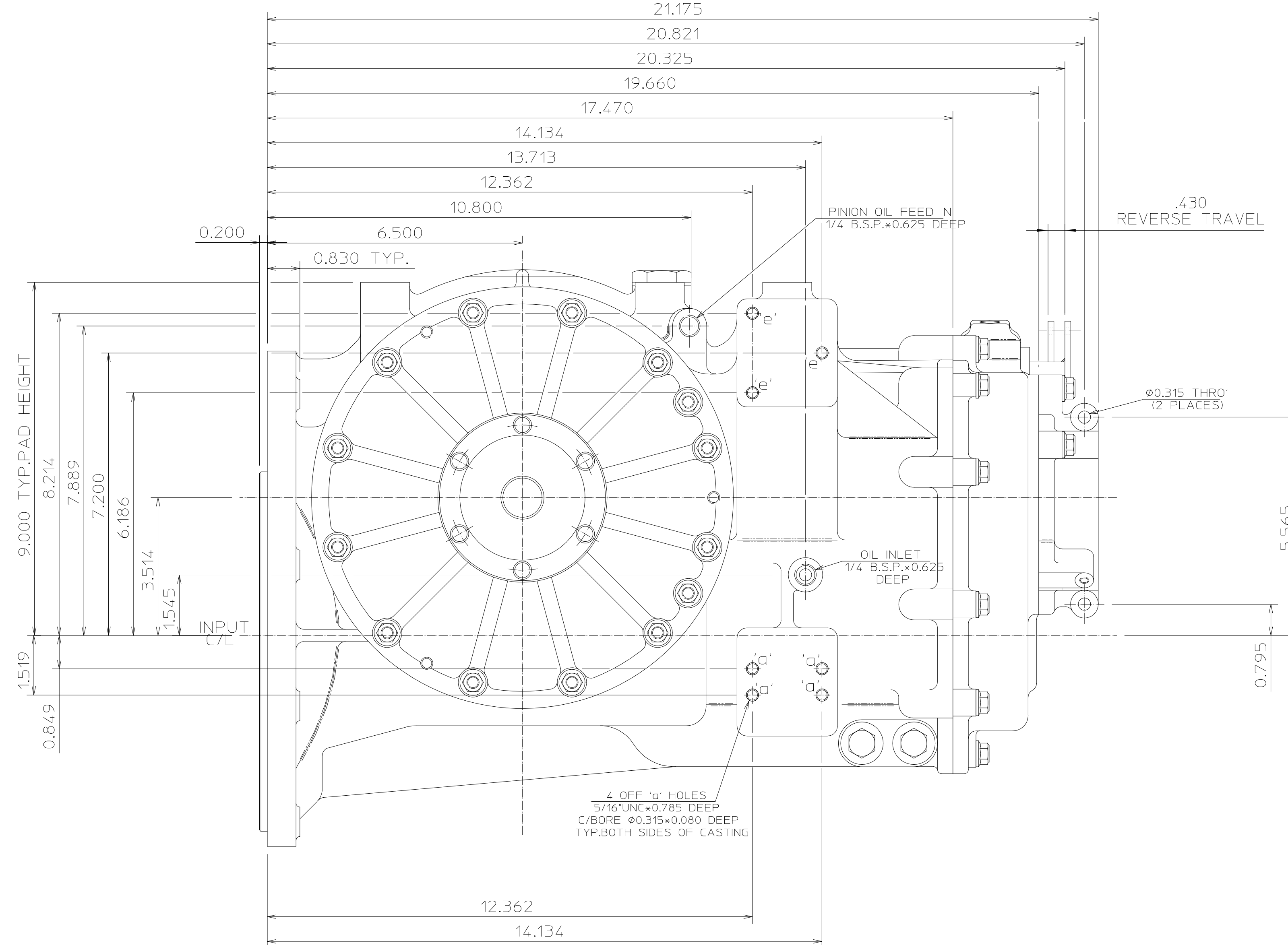
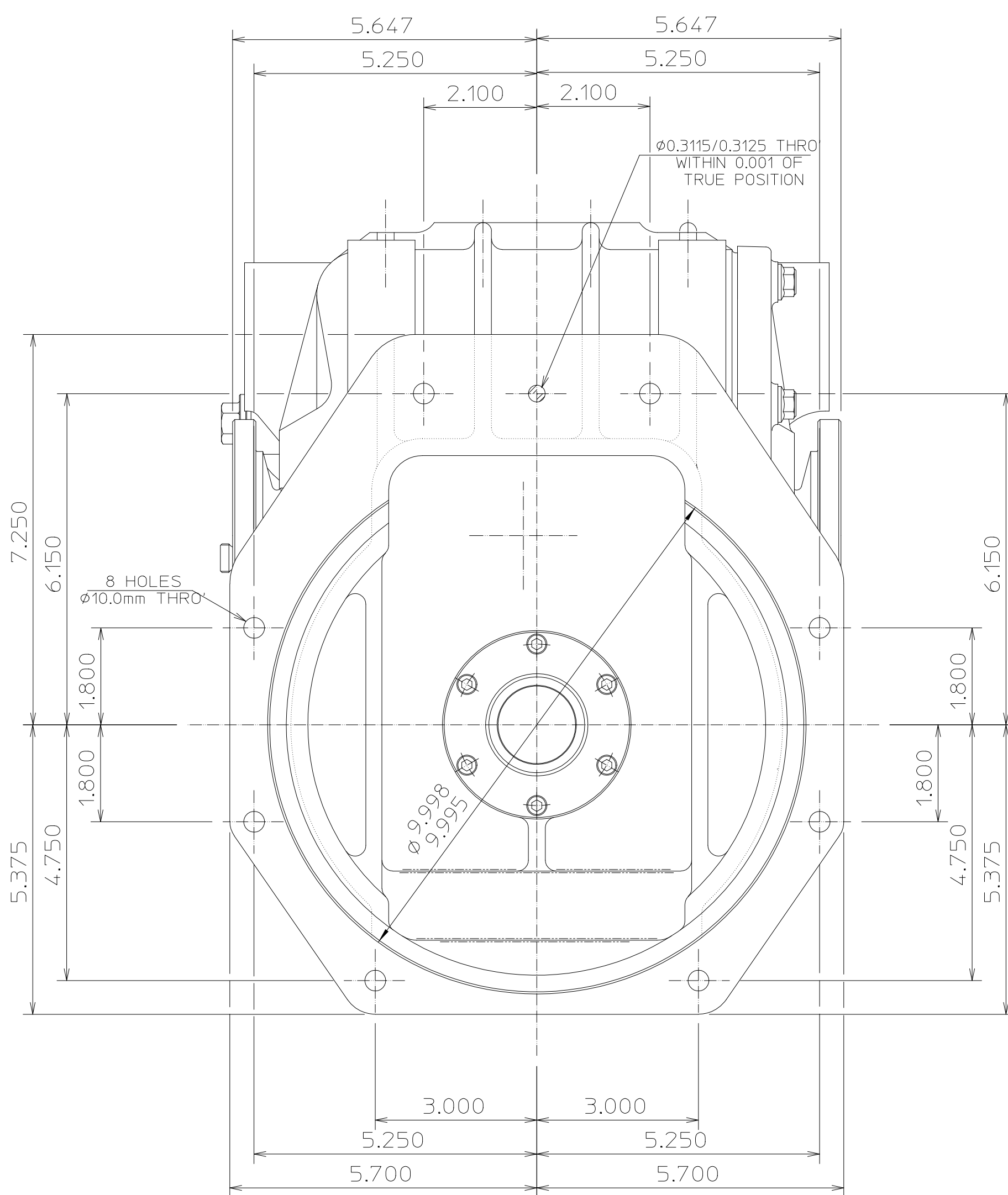
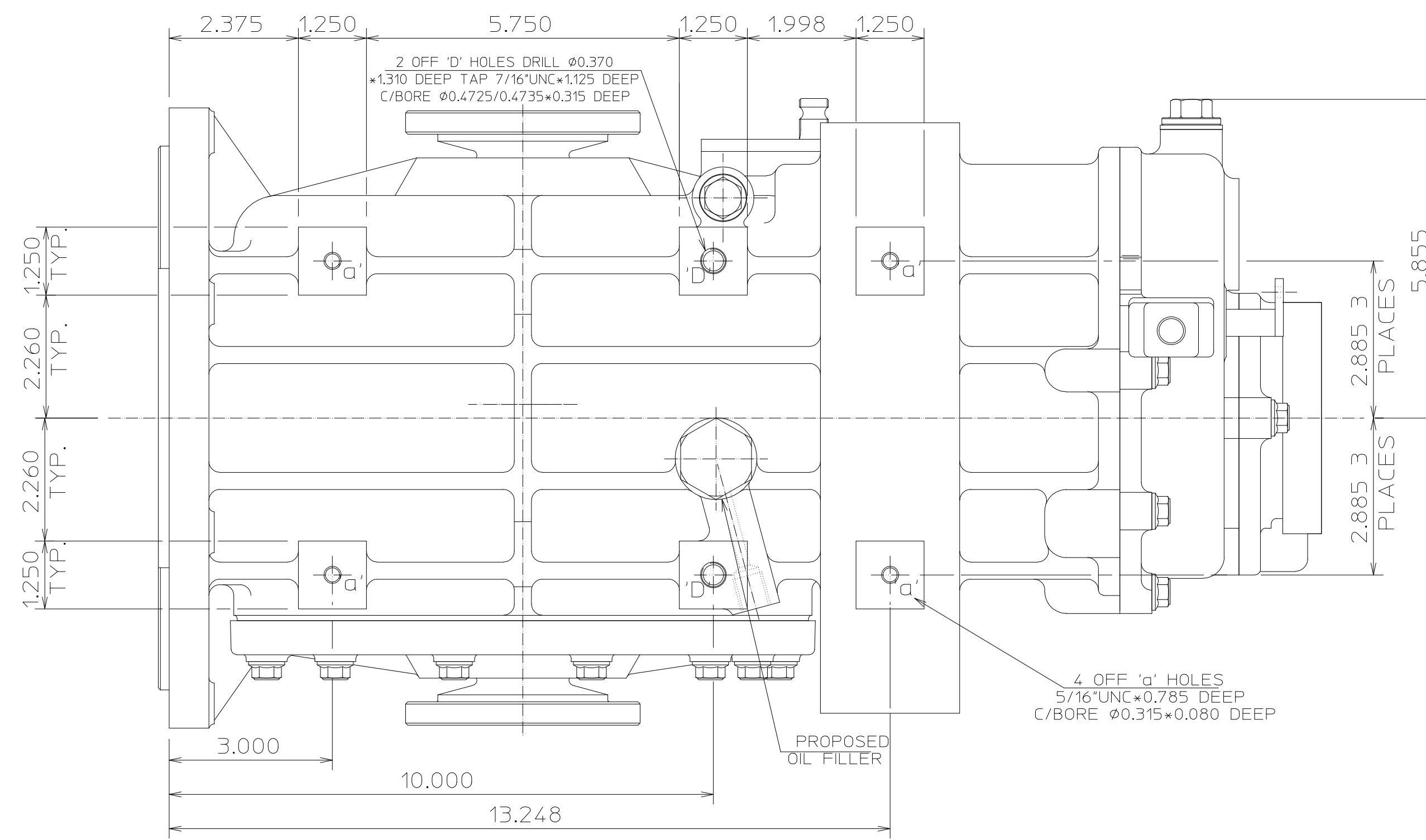


BEARING HOUSING POSITION



NOTE:-
1) SEE HYD-041 FOR OIL SYSTEM PIPEWORK KIT REFERENCES. (OIL COOLERS ARE NOT INCLUDED.)

GENERAL SPECIFICATION:-
6 SPEED & REVERSE TRANSAXLE RACING GEARBOX WITH MANUAL SEQUENTIAL GEARSHIFT & CABLE OPERATED REVERSE. OPTIONAL OIL PUMP MAY BE FITTED TO FEED AN EXTENSIVE INTEGRATED INTERNAL OIL FEED SYSTEM. VARIOUS CROWNWHEEL & PINION RATIOS AVAILABLE TO MATE TO A 'POWERFLOW' (PLATE TYPE) DIFFERENTIAL. EXTENSIVE RANGE OF SHIFT RATIOS AVAILABLE FROM THE HEWLAND '104' GEAR RANGE.

ISSUE	MODIFICATION	DATE
6	SECTION ADDED	L.M. 14/12/2005
5	HYD-041 NOTE ADDED	G.R. 10/08/2004
4	WAS 6-OFF 'e' HOLES	M.T. 10/06/2003
3	WISHBONE HOLES ADDED	ADS 10/05/2003
2		ADS 10/05/2003

MATERIAL	SCALE	DIMENSIONS	MACHINING TOLERANCES UNLESS STATED	
ASSEMBLY	1:2	INCHES	GENERAL DIM TOL TO BE +0.12mm (+0.005") ANGULAR DIM TOL TO BE +0.25° HOLE POSN TOL TO BE +0.25mm (+0.010") REMOVE ALL BURRS & SHARP EDGES	
HEAT TREATMENT	DRAWN	APPROVED		
NONE	ADS	L.M.		
SHOT PEEN	10/12/1999	14/12/2005		
FINISH	NONE	L.M. 14/12/2005		
RELEASED TO MANUFACTURE TITLE			NMT-200 INSTALLATION DRAWING	DRG. No. NMT-200-I Sheet 1 Of