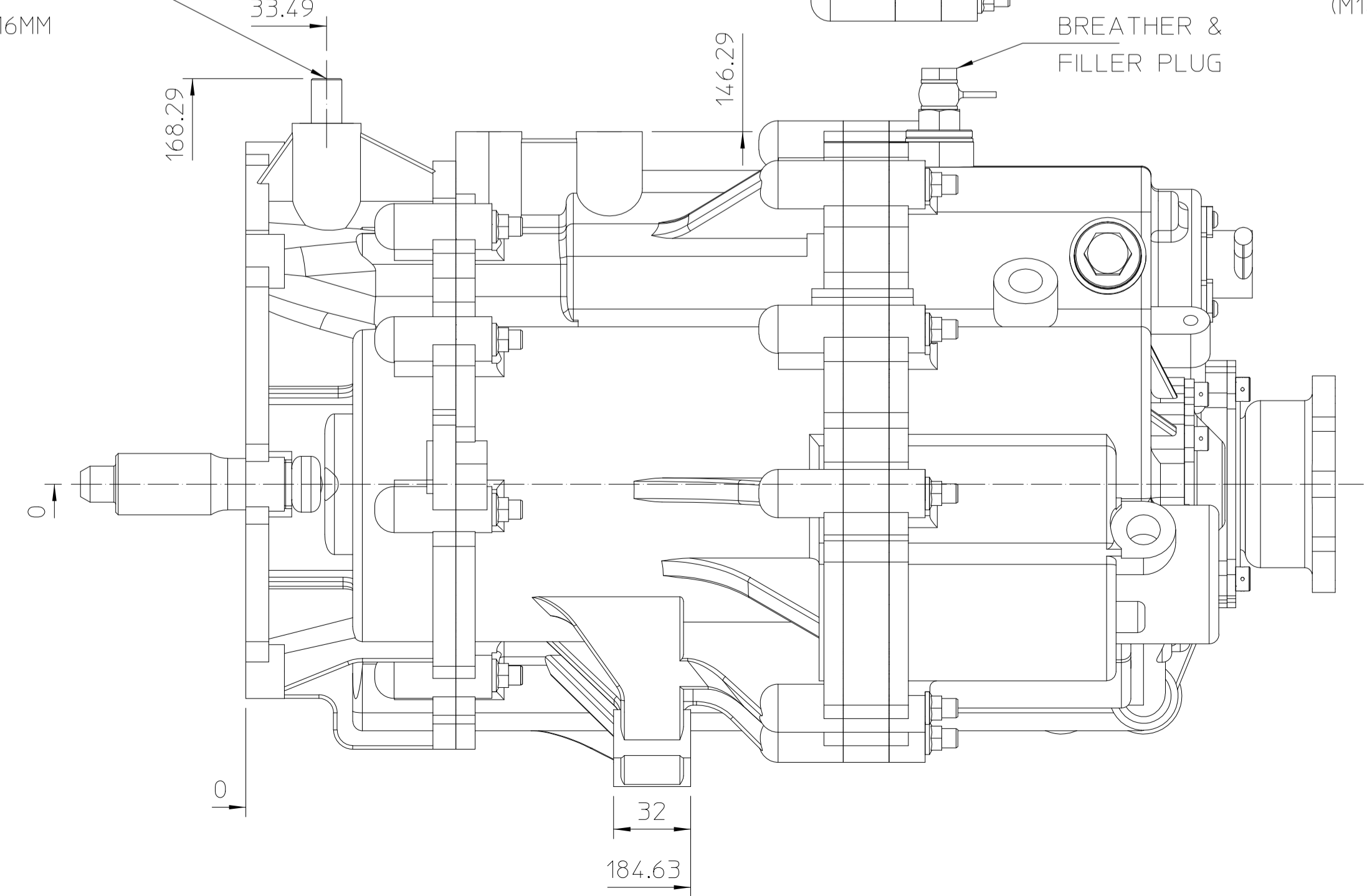


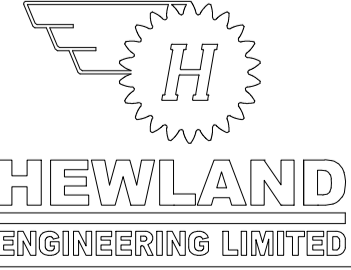
GEAR SELECTOR SHAFT  
TAPPED 5/16 UNF 16MM DEEP  
PULL UP TO UP-SHIFT  
SHIFT STROKE 16MM



GENERAL INFORMATION:

- 6 SPEED SEQUENTIAL & REVERSE  
INCORPORATING TRANSFER GEARING
- WIDE RANGE OF TRANSFER GEARS AVAILABLE
- DGN STANDARD CHANGE GEAR RATIOS  
1ST GEAR INTEGRAL LAYSHAFT  
LOWEST STANDARD SECOND GEAR 14/32
- TYPICAL DRY WEIGHT 32.8 KG

ISSUE	MODIFICATION	DATE
6	THREAD DETAIL ADDED	C.I. 25/02/2008
5	VIEWS UPDATED	PWA 12/01/2006

MATERIAL ASSEMBLY N/A	SCALE 1:2	DIMENSIONS MM	MACHINING TOLERANCES UNLESS STATED GENERAL DIM TOL TO BE +0.12mm (+0.005") ANGULAR DIM TOL TO BE +0.25° HOLE POS'N TOL TO BE +0.25mm (+0.010") REMOVE ALL BURRS & SHARP EDGES	 <b>HEWLAND</b> ENGINEERING LIMITED
HEAT TREATMENT NONE	DRAWN PWA	APPROVED C.I.		
SHOT PEEN NONE	27/06/2000	25/02/2008		
FINISH NONE	C.I.	25/02/2008		
TITLE GEARBOX INSTALLATION DRAWING			DRG. No. IGTC-200-I	Sheet 1 Of 1