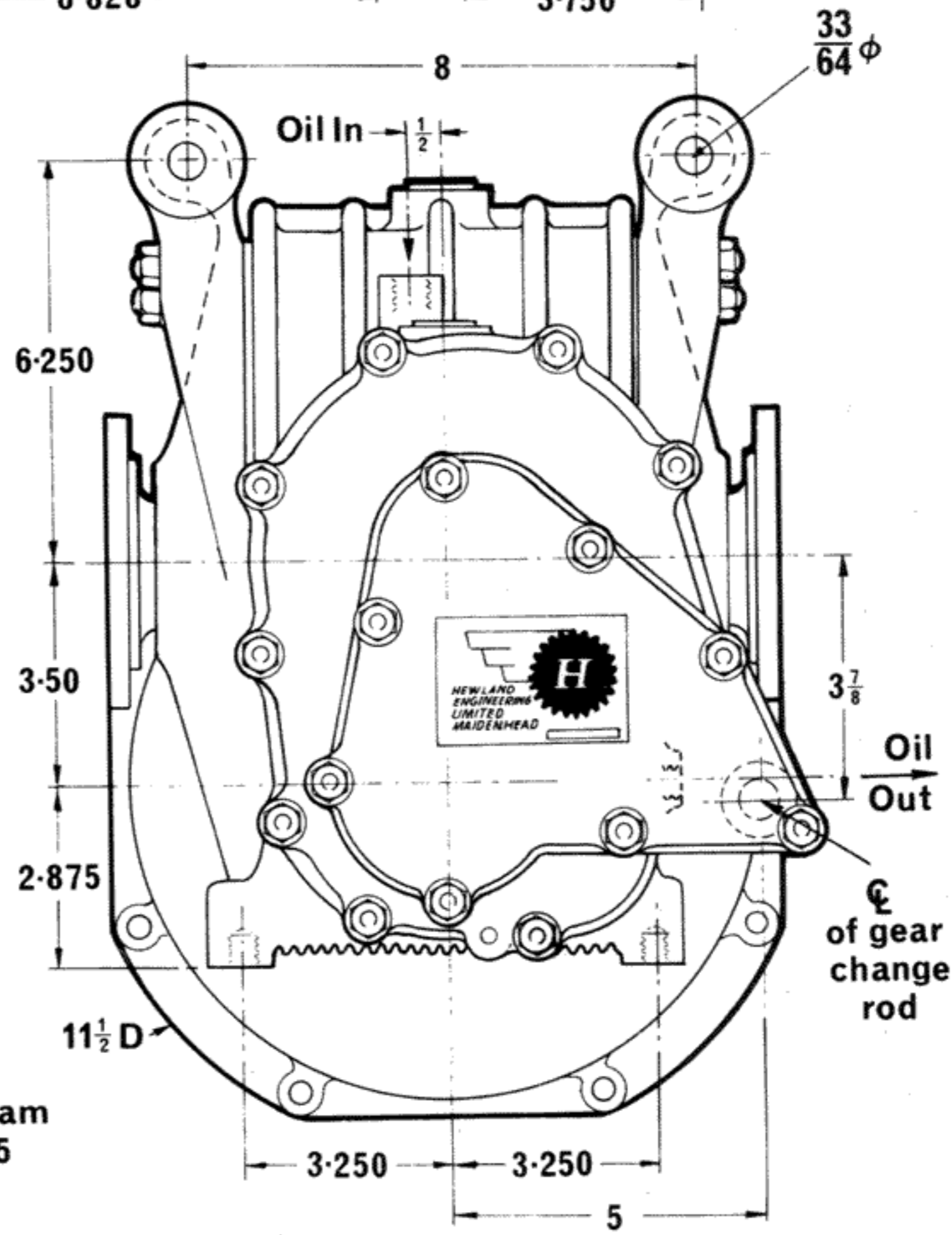
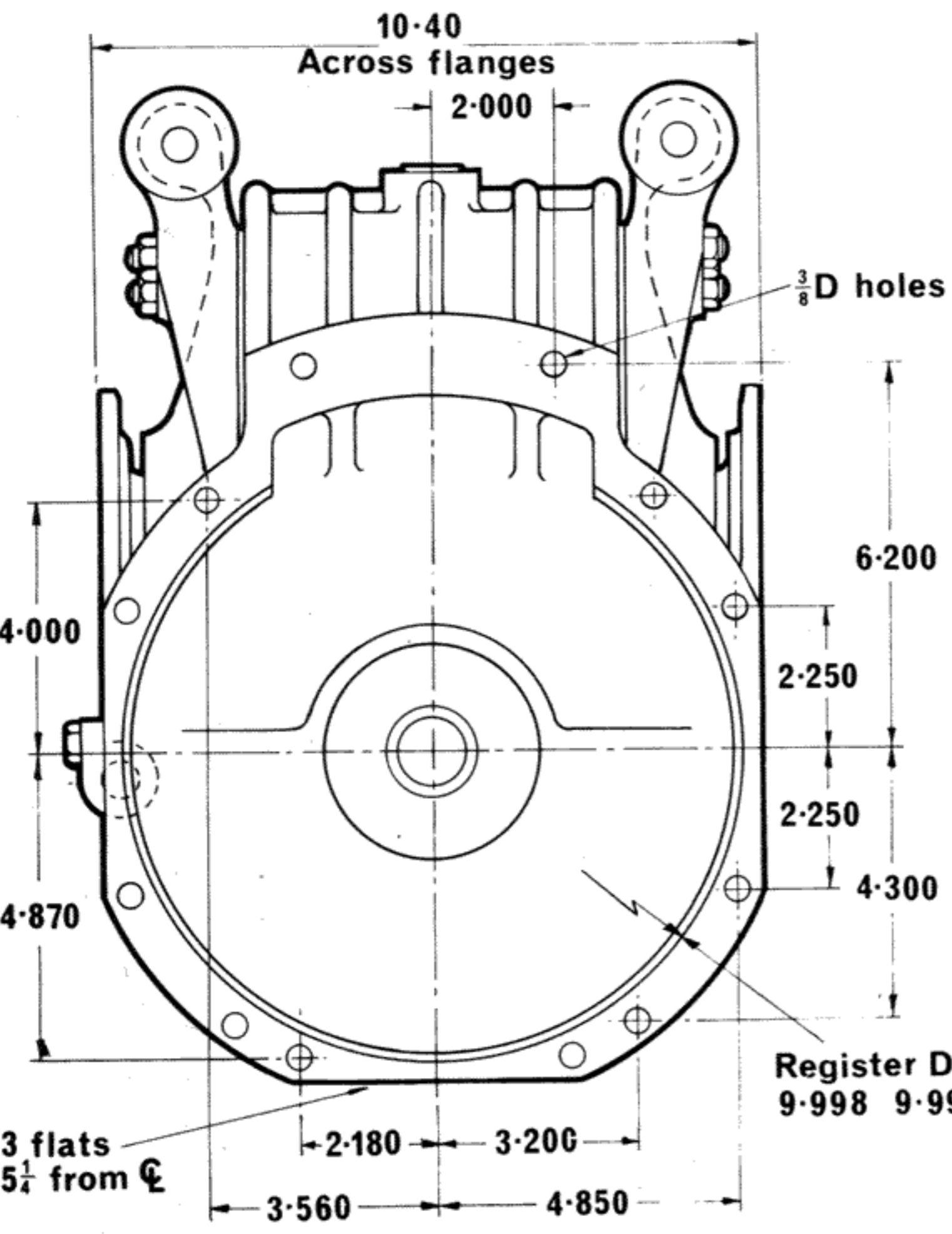
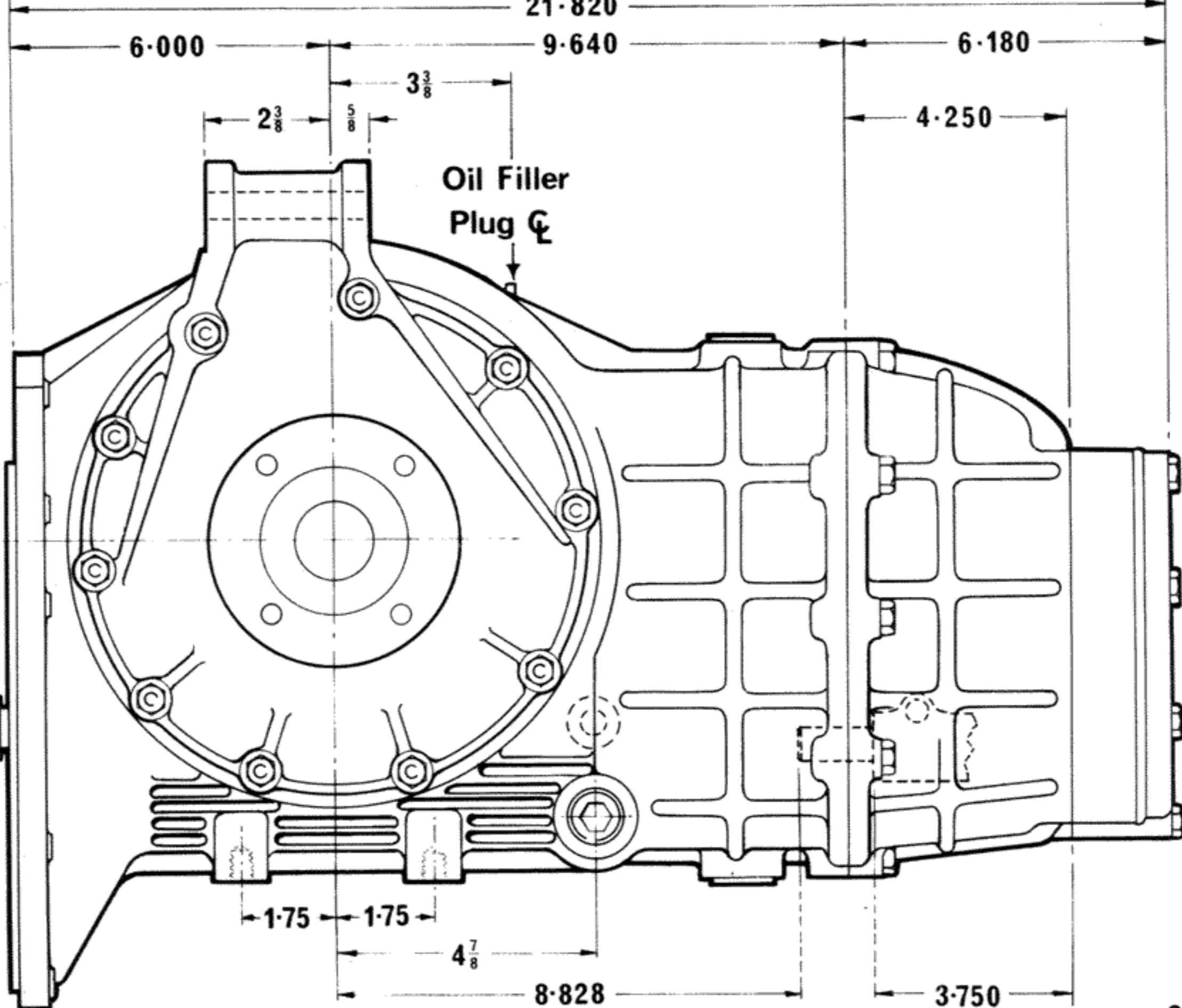
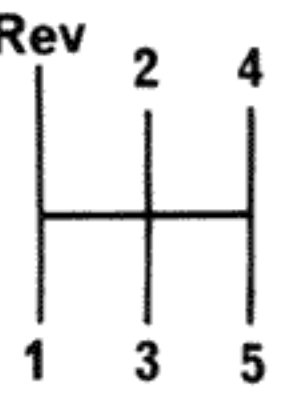


**Gear rod movement**  
 .225 either side of neutral for forward gears.  
 $\frac{3}{8}$  forward for reverse.  
**Gear rod rotates**  
 $32^\circ$  total.



Dimensions in inches